

1. Introduction

This Technical Information Sheet provides guidance on where to position loads on standard 13.6 m (45') long trailers in order to satisfy legal limits for axle weights.

Note: There are many variables that affect the permissible axle loads on a vehicle:

- Using 2 or 3 axle tractor units
- Tractor axle kerb weights
- Fuel load
- Axle design limits
- Tractor unit axle spacing
- Suspension design
- 5th wheel position
- Trailer length
- Trailer tare weights on king-pin and tri-axle
- Position of king-pin from headboard
- Distance between king-pin and tri-axle
- Tri-axle spacing
- Trailer suspension type - mechanical or air suspension

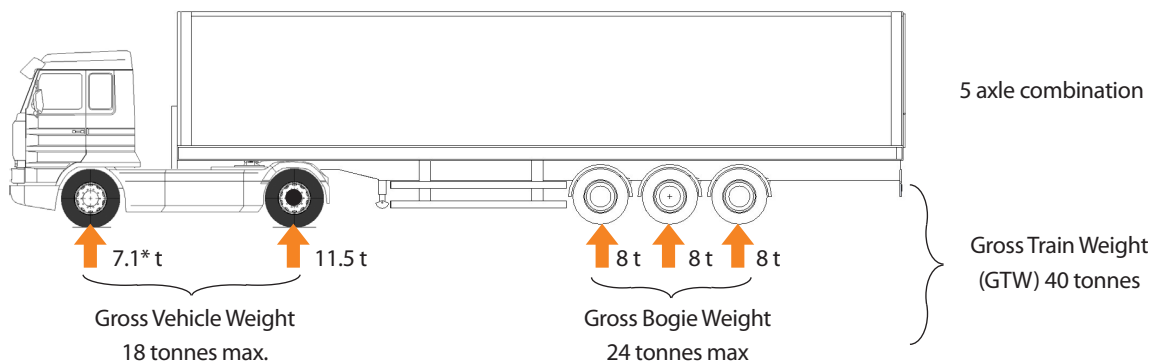


Therefore, this Technical Information Sheet can only provide guidance for typical tractor - trailer combinations. Important note: The final responsibility for meeting legal limits lies with the driver of the vehicle being used.

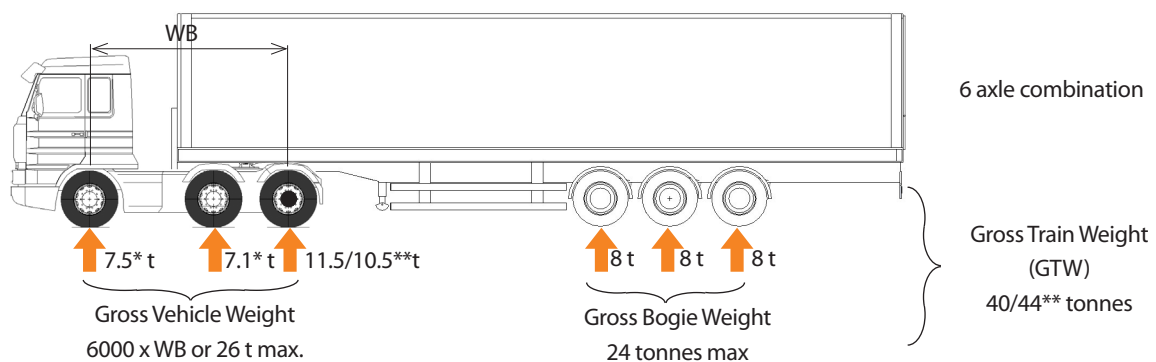
2. Axle weight limits

Axle weight limits vary from country to country and a list of permissible maximum weight limits for the main European destinations can be found in Table 1 on page 4. Typical axle weight limits for European freight are shown below:

Two axle tractor



Three axle tractor



* Steer axle and 2nd axle Authorised Weights are make/model specific.

** In the UK Drive axle limit is 10.5 t if GTW exceeds 40 tonnes.

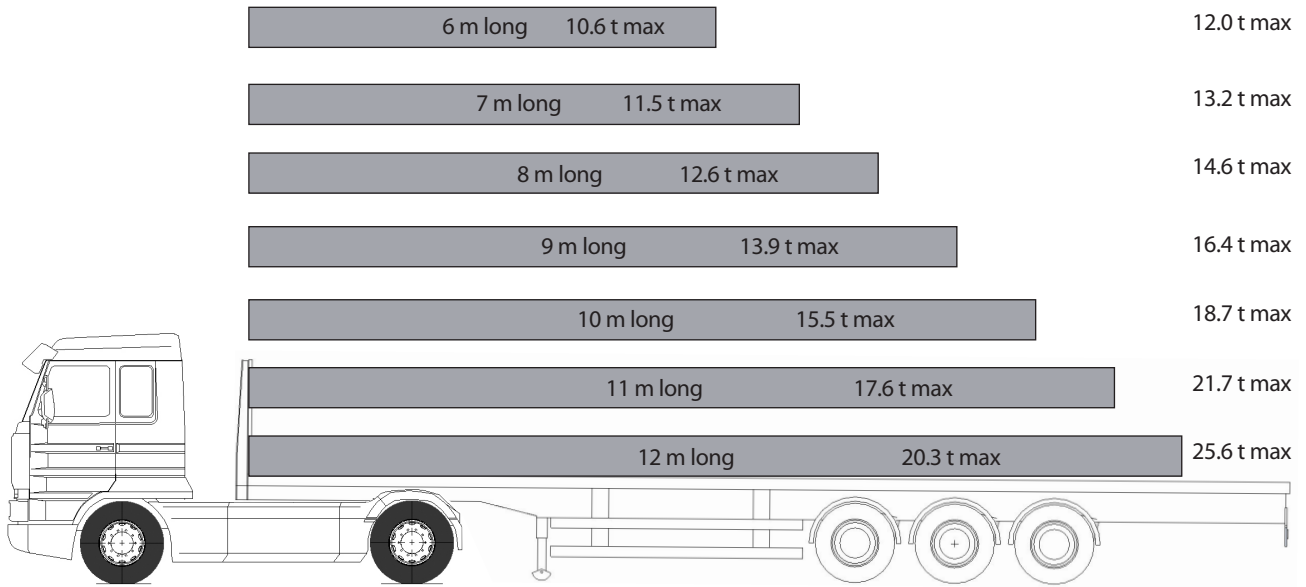
Note: The weight borne by the drive axle must not be less than 25 % of the GTW for international traffic.

3. Maximum payload when loaded to the trailer headboard

The diagrams below show the maximum payload for different length product when loaded to the trailer headboard based on typical 2 and 3 axle tractor units and trailers. The figures below and in Section 4 are based on vehicle tare weights of 14.8 tonnes for a 5 axle combination, and 15.9 tonnes for a 6 axle combination with 13.6 m (45') trailers.

3.1 Two axle tractor unit / 5 axle combination

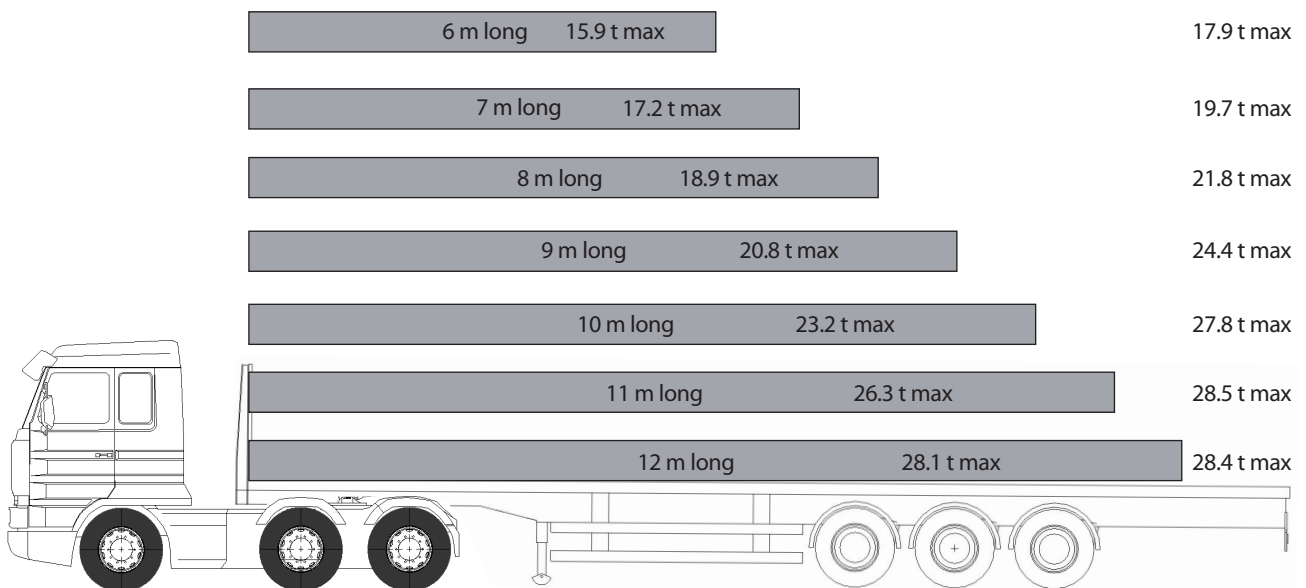
Weight limits for a 12.2 m (40') trailer



Maximum payload for different length product loaded to the headboard with a typical 2 axle tractor unit and a 13.6 m (45') trailer

3.2 Three axle tractor unit / 6 axle combination

Weight limits for a 12.2 m (40') trailer



Maximum payload for different length product loaded to the headboard with a typical 3 axle tractor unit and a 13.6 m (45') trailer



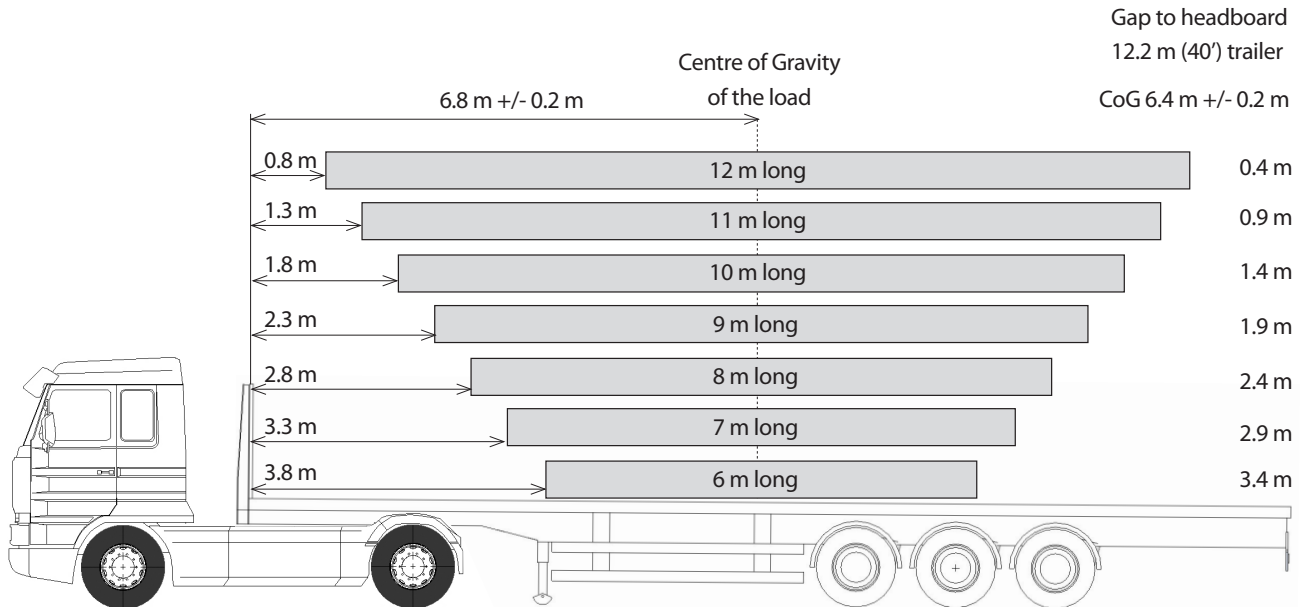
1. The above figures are for guidance only based on typical tractor and trailer tare weights and dimensions.
2. When loading 3 axle tractor units in the UK for delivery to Mainland Europe, the load should be positioned for a 2 axle unit unless it is known for certain that a 3 axle tractor will be used on the continent.



4. Load position to meet axle limits with full payloads

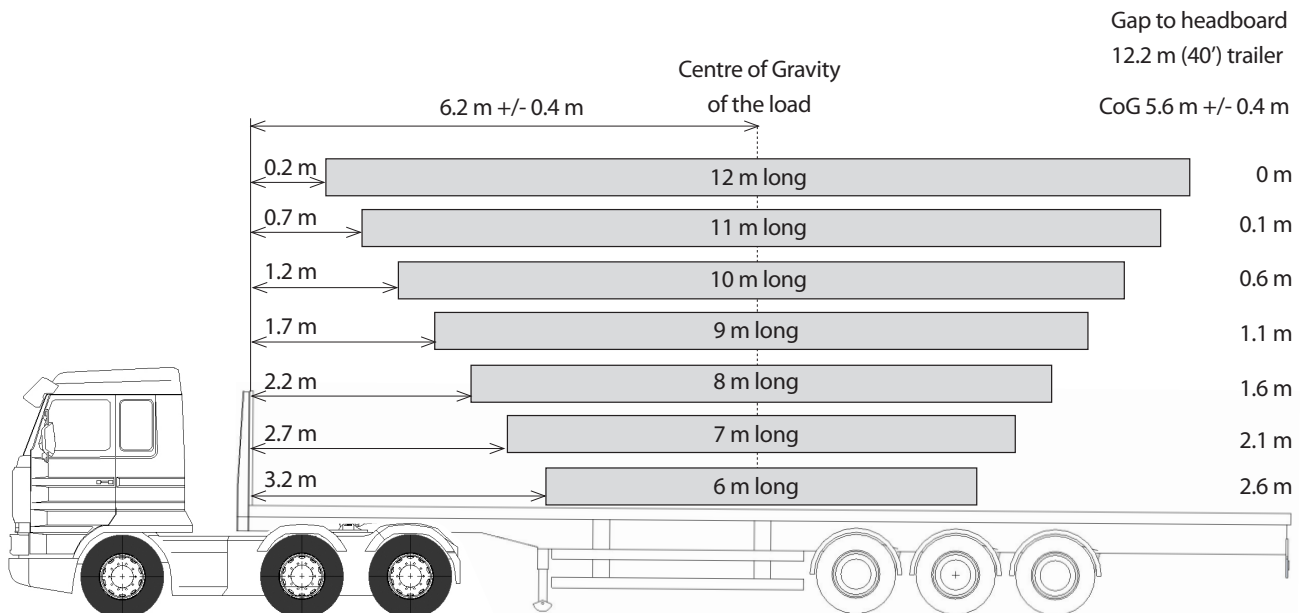
The diagrams below show the optimum position of the load to meet axle load limits when full payloads are carried. The allowable variation shown for the position of the Centre of Gravity also applies to the distance from the headboard i.e. +/- 0.2 m for full payloads. Reducing the payload by 1 tonne adds approximately 0.1 m to the allowable variation.

4.1 Two axle tractor unit and a Gross Train Weight of 40 tonnes



Distance from the trailer headboard of a 25 tonne payload on a typical 5 axle vehicle with a 13.6 m (45') trailer.

4.2 Three axle tractor unit and a Gross Train Weight of 44 tonnes



Distance from the trailer headboard of a 28 tonne payload on a typical 6 axle vehicle with a 13.6 m (45') trailer.



1. The above figures are for guidance only based on typical tractor and trailer tare weights and dimensions.
2. When loading 3 axle tractor units in the UK for delivery to Mainland Europe, the load should be positioned for a 2 axle unit unless it is known for certain that a 3 axle tractor will be used on the continent.



Table 1: Permissible maximum weights of 5 and 6 axle articulated trucks in Europe (in tonnes)

Country	Weight per non-drive axles	Weight per drive axle	Tractor 2 axle unit GVW	Tractor 3 axle unit GVW	Trailer tri-axle bogie	Gross train weight 5 axles	Gross train weight 6 axles	Container transport 5 / 6 axles
Albania (AL)	10	10 / 11.5 (1)	18	25 / 26 (1,2)	22	38 / 44 (1)	38 / 44 (1)	
Austria (A)	10	11.5	18	26 (2)	24	40	40	44
Belgium (B)	10	12	19	26	30	43 / 44 (3)	43 / 44 (3)	
Bosnia-Herzegovina (BIH)	10	11.5	20	26	26	40	40	
Bulgaria (BG)	10	11.5	18	26 (2)	24	40	40	44
Croatia (HR)	10	11.5	18	26 (2)	24	40	40	
Czech Republic (CZ)	10	11.5	18	26 (2)	24	42	48	48
Denmark (DK)	10	10 / 11.5 (1)	18	24 / 26 (1,2)	24	42	48	
Finland (FIN)	10	11.5	18	26 (2)	30	42	48	
France (F)	13/12 (2,4)	13/ 12 (2,4)	19	26	24	40 / 44 (5)	40 / 44 (5)	44
Germany (D)	10	11.5	18	26 (2)	24	40	40	44
Greece (GR)	7 / 10	11.5 / 13	18	26	24	40	40	44
Hungary (H)	10	11.5	18	26 (2)	24	40	40	44
Ireland (IRL)	10	10.5/11.5 (6)	17 / 18	26 (2)	24	40 / 42(7)	44 / 46 (8)	44
Italy (I)	12	12	18	26 (2)	26	44	44	44
Netherlands (NL)	10	11.5	21.5	33	30	50	50	
Norway (N)	10	11.5	19.5	26 / 29.5 (9)	30	47	47	
Poland (PL)	10	11.5	18	26 (2)	24	40	40	44
Portugal (P)	10	12	19	26	24	40	40	44
Romania (RO)	10	11.5	18	26	24	40	40	44
Russia (RUS)	10	10	18	25 (2)		38	38	
Serbia (SRB)	10	11.5	18	24	22	40	40	44
Slovakia (SK)	10	11.5	18	26 (2)	24	40	40	
Slovenia (SLO)	10	11.5	18	25	24	40	40	44
Spain (E)	10	11.5	18	26	24	40	40	42 / 44
Sweden (S)	10	11.5	18	26 (2)		48 / 60 (10)	48 / 60 (10)	
Switzerland (CH)	10	11.5 (11)	18	26 (2)	24	40	40	
Turkey (TR)	10	11.5	18	25 / 26 (9)		40	40	44
Ukraine (UA)	10	11	16 /18	22 / 24		38	38	44/46 (12)
United Kingdom (GB)	10	11.5/10.5(2,4)	18	26 (13)	24	40	44	44

Notes

- (1) Lower figure is for national traffic; higher figure is for international traffic.
- (2) With road friendly (air) suspension or similar.
- (3) 43 t with mechanical suspension, 44 t with air suspension.
- (4) Drive axle must not exceed the lower figure for a 3 axle tractor unit operating above 40 t GTW.
- (5) 44 t limit for vehicles registered after 1 Oct 2009. As of 30 Sept 2014, also vehicles registered after 1 Oct 2001 (Euro III vehicles).
- (6) Mechanical suspension national traffic 10.5 t; air suspension national traffic 11.5 t; international traffic 11.5 t.
- (7) 42 t limit only until 31 Dec 2014 - then reverts to 40 t limit.
- (8) 46 t limit requires vehicle to have Electronic Braking System and Electronic Stability Control.
- (9) Certain national conditions apply.
- (10) For vehicles engaged in combined road/rail transport. In Sweden the higher value relates to 'B-doubles'.
- (11) Switzerland enforce a minimum drive axle load limit of 25% of the Gross Train Weight to ensure traction.
- (12) Licensed by state Motor Road service of Ukraine 5 axle + limit is 46 t.
- (13) 6 x Tractor Wheel Base (in m) capped at 26 tonnes. Must have road friendly suspension.



When planning a load, the lowest limits of the countries on the whole route must be used.

BRITISHSTEEL.CO.UK

A | PO Box 1, Brigg Road, Scunthorpe, North Lincolnshire, DN16 1XA
 E | +44 (0)1724 402436 E | logistics@britishsteel.co.uk
 TIS-0012 Issue 1

Sources: International Transport Forum 12 Oct 2011
 IRU Maximum weights and dimensions 12 Mar 2012
 Road Safety Authority Ireland Weights and Dimensions leaflet Feb 2013

Care has been taken to ensure that the contents of this publication are accurate, but British Steel Limited and its subsidiaries and associated undertakings (having the meaning set out in the Companies Act 2006) do not accept responsibility or liability for errors or information that is found to be misleading.

British Steel Limited is registered in England under number 12303256 with registered office at Administration Building, Brigg Road, Scunthorpe, DN16 1XA.

